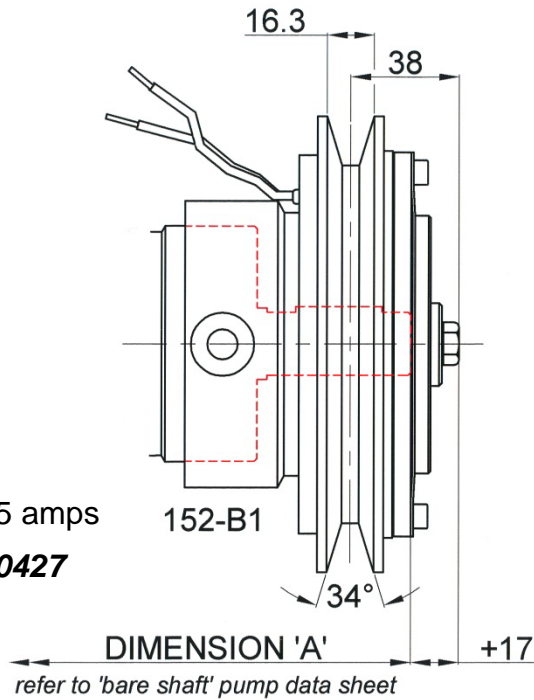


**TO FIT PUMPS**

- AM40 D & S
- AM40D10
- AM50 D & S
- AM50-14 D & S
- B40
- CM40 D & S
- CM40D10A
- CM50 D & S
- CM50-14A D & S
- PC32B16
- PC40B14
- PC40B16
- TS40D14

**WEIGHT:** 5.5kg  
**CURRENT DRAW:** 1.5 amps  
**PART No:** FP-94-8110427

**PULLEY  
 PITCH DIA = 152  
 PULLEY  
 BELT SECTION = SPB  
 No OF BELTS = 1**



# FP PUMPS

## 24V DC ELECTROMAGNETIC 'A' SERIES CLUTCHES



### ELECTROMAGNETIC CLUTCHES PULLEY PITCH DIA 152 & 145

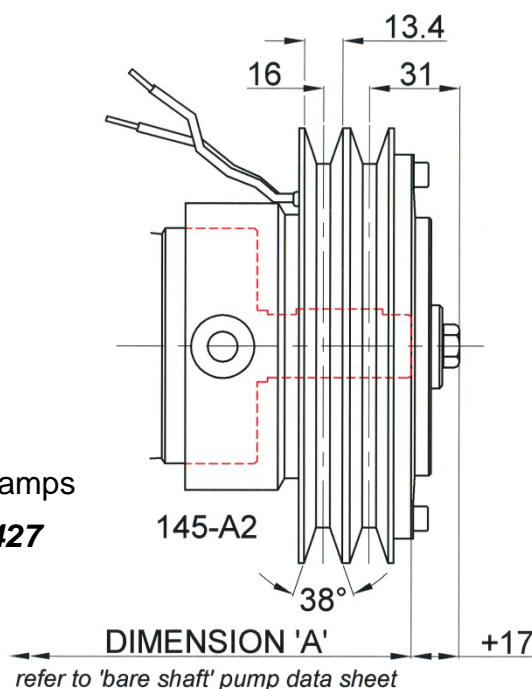
- \* robust
- \* encapsulated coil
- \* bi-directional
- \* simple to fit

**TO FIT PUMPS**

- AM40 D & S
- AM40D10
- AM50 D & S
- AM50D14
- B40
- CM40 D & S
- CM40D10A
- CM50 D & S
- CM50D14A
- PC32B16
- PC40B14
- PC40B16
- TS40D14

**WEIGHT:** 5.5kg  
**CURRENT DRAW:** 1.5 amps  
**PART No:** FP-94-8130427

**PULLEY  
 PITCH DIA = 145  
 PULLEY  
 BELT SECTION = A  
 No OF BELTS = 2**



## BRONZE PUMPS for SEAWATER

Xylem Water Solutions UK Ltd  
 Bingley Road  
 Hoddesdon  
 Hertfordshire • EN11 0BU UK

Tel: +44 (0)1462 480380  
 Fax: +44 (0)1462 482422  
 mail@cleghorn.co.uk  
 www.jabscoshop.com



Dimensions In mm (Approx.)